

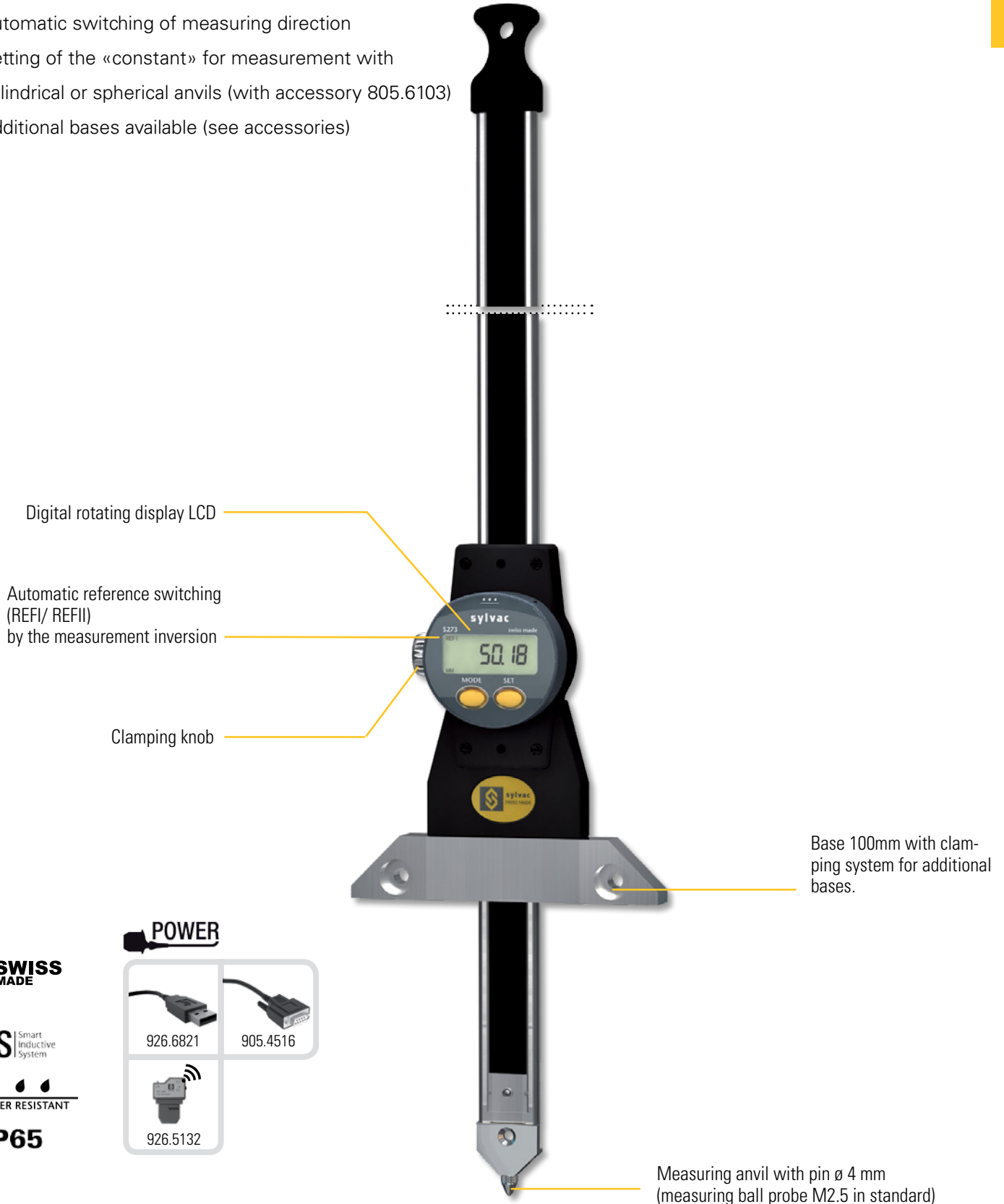
Depth gauge

S_Depth PRO

DESCRIPTION

- PRESET function
- Automatic switching of measuring direction
- Setting of the «constant» for measurement with cylindrical or spherical anvils (with accessory 805.6103)
- Additional bases available (see accessories)

A






SWISS MADE

SIS Smart Inductive System

WATER RESISTANT

IP65

POWER

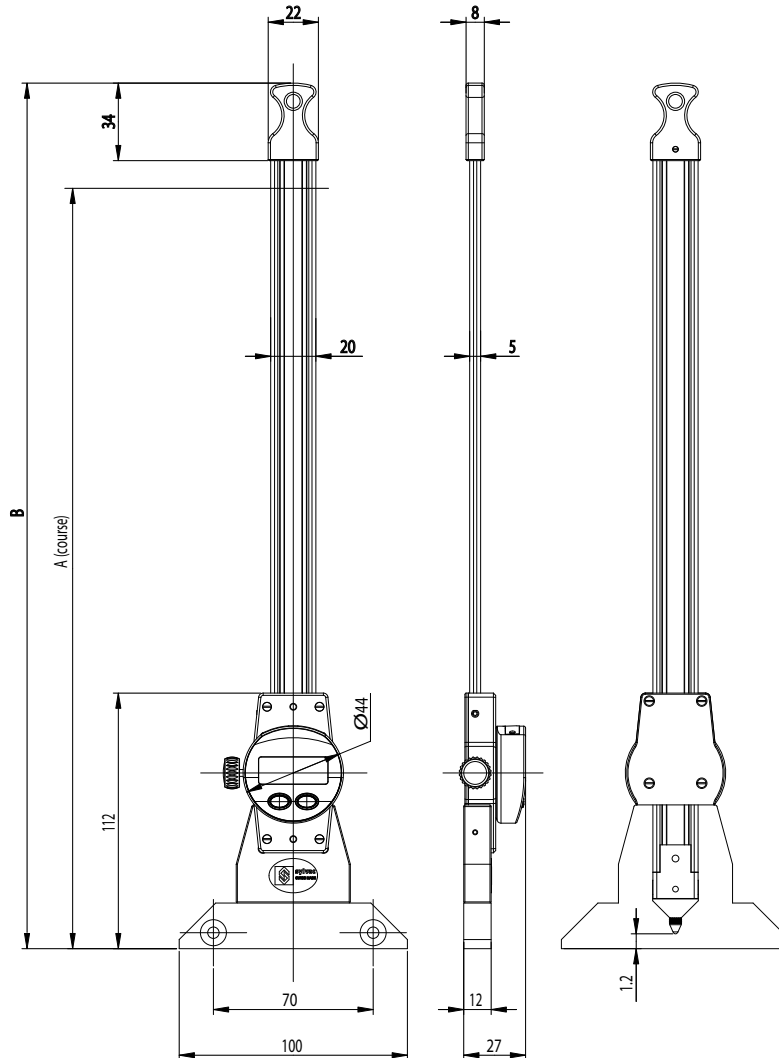
 926.6821	 905.4516
 926.5132	

Depth gauge

S_Depth PRO

A

DIMENSIONAL DRAWING



TECHNICAL SPECIFICATIONS

		805.6005	805.6006
Measuring range	mm	300	600
Max. Error	µm	30	40
Repeatability ¹⁾	µm	10	10
A	mm	422	625
B	mm	483	773
S_Connect : Power		USB / RS232 / Wireless ²⁾	
2 References		●	
PRESET function		●	

¹⁾ ± 1 digit

²⁾ see cables chapter

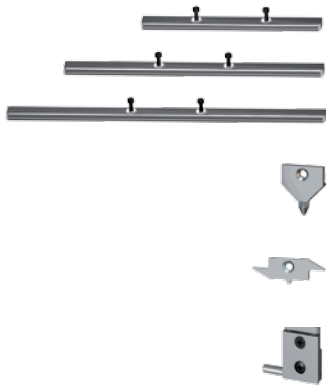
Depth gauge

S_Depth PRO

BASIC INSTRUMENT

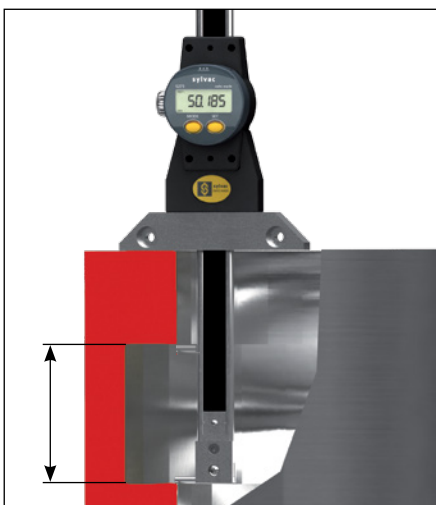
- Instrument according to technical specifications
- Lithium battery CR2032 included
- Instruction manual

COMPATIBLE ACCESSORIES



		Length	Thickness
805.2180	Additional base	180 mm	8 mm
805.2260	Additional base	260 mm	8 mm
805.2320	Additional base	320 mm	8 mm
805.6101	Ball probe M2.5 (standard)		
805.6102	Anvils UP&DOWN		
805.6103	Anvil with pin Ø4 mm		

APPLICATIONS



Measure of an internal groove (height) thanks to the constant.



Depth measurement

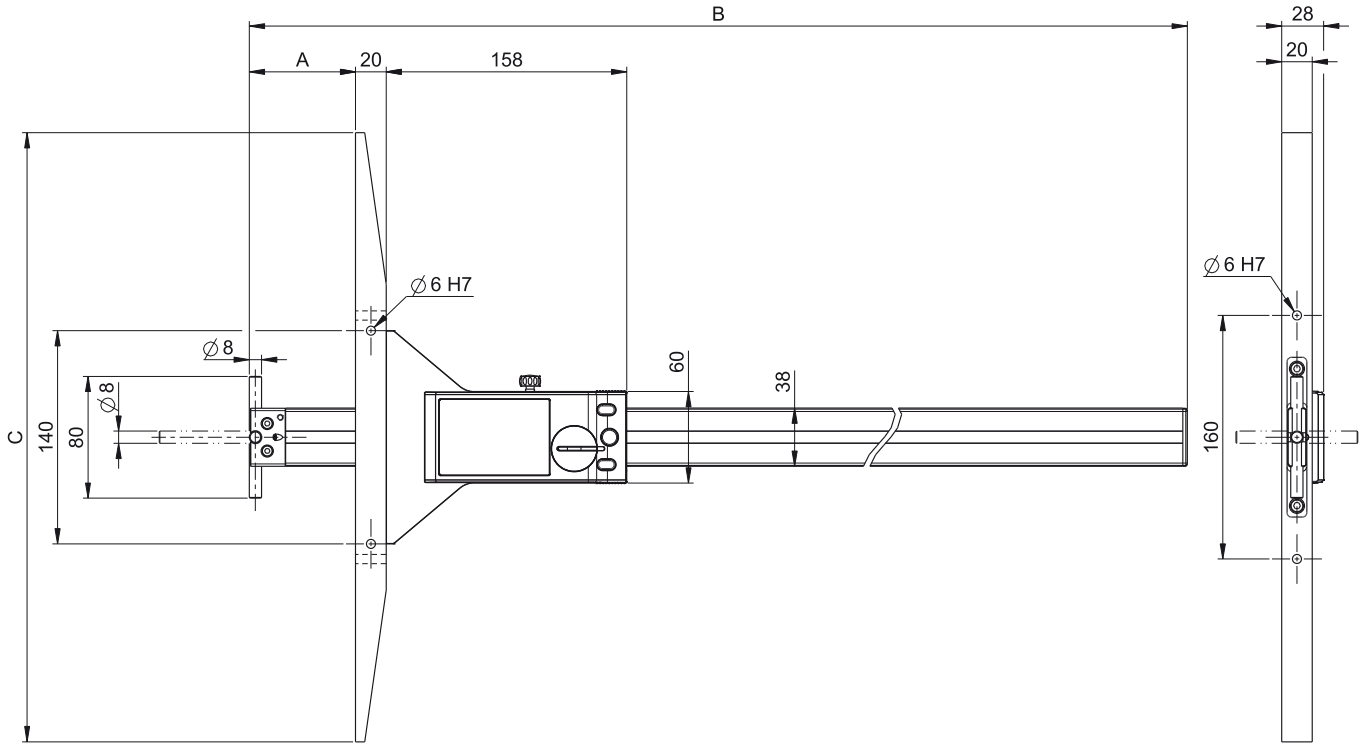


Depth measurement in a drilling with an additional base

Ultra light depth gauge

UL V4

DIMENSIONAL DRAWING



TECHNICAL SPECIFICATIONS

		811.6100	811.6150
Measuring range	mm	1000	1500
Max.Error	µm	100	130
Repeatability	µm	20	
A	mm	0 - 1030	0 - 1545
C	mm	400	600
B	mm	1242	1757
S_Connect		Bluetooth® Smart* / Proxi.-RS232 , -USB	
IP67 Protection		●	
Preset max.		±9999.99 mm / ±399.9995 IN	
Weight	kg		
Setting by PC		●	
2 references		●	
Min/Max function		●	
Tolerance limit indicators		●	

* Up to 8 instruments connected per dongle #981.7100
 More informations on How to use Bluetooth® leaflet SYL_1401_EN_BT