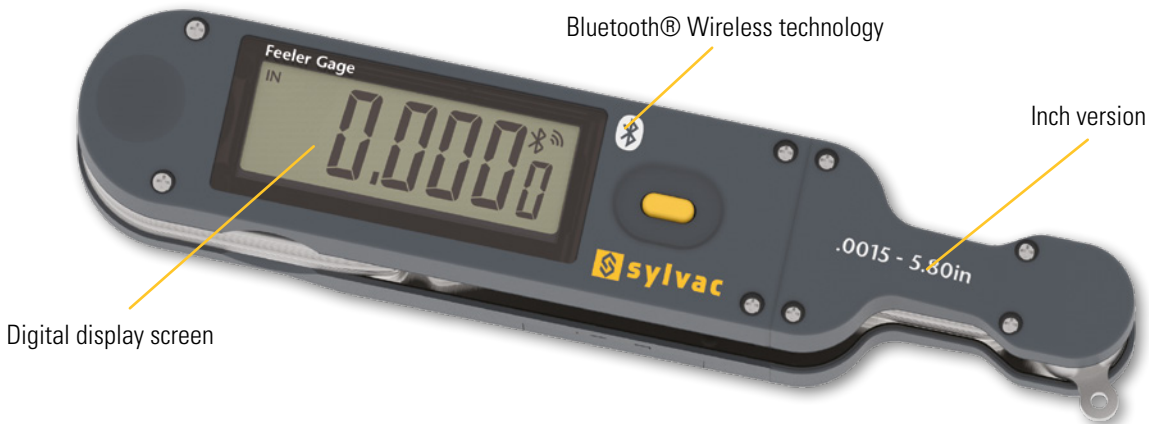


Digital thickness gauge Feeler Gage Smart

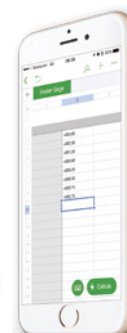
DESCRIPTION

- Digital thickness gauge with **integrated Bluetooth® Wireless technology**
- **For gap measurement and setting with data transmission**
- Thickness: 0.05...1.00mm, 0.04...1.00mm ou 0.0015...0.0300inch
- First Sylvac instrument with HID technology
- Versions with 19 or 20 gauges (according to model)
- Alignment of feelers in one crimp between the thumb and index finger
- Calculation and display of the stacking value of several gauges
- Instrument with a modern design that is easy to use



First Sylvac instrument with HID technology!

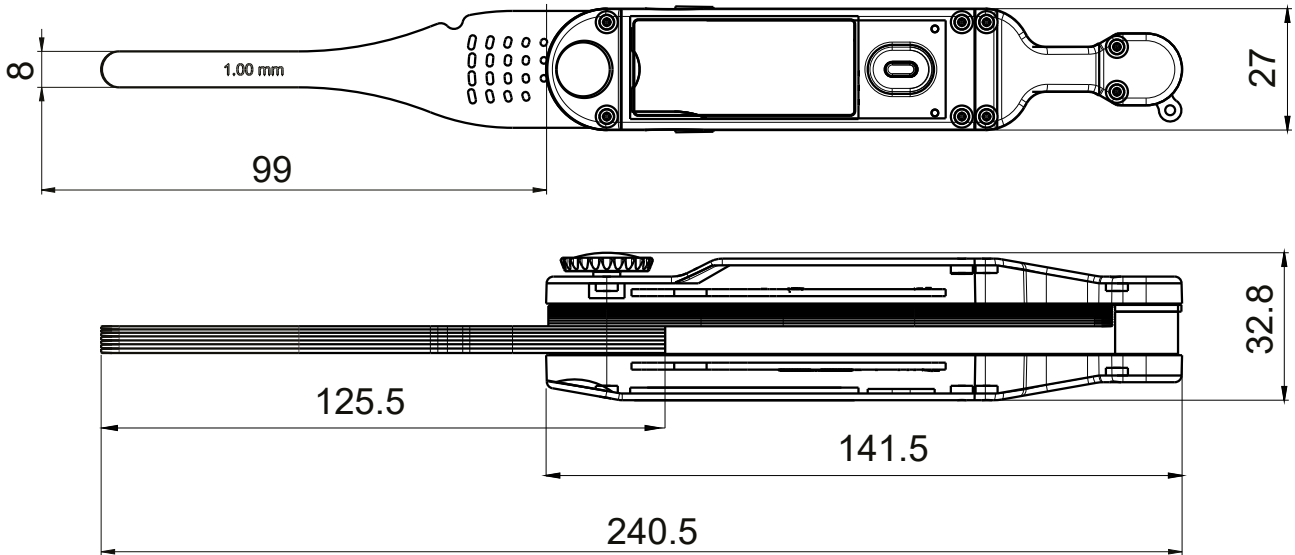
Transmission of data into any software or application, without dongle. Can be used with Microsoft (W7, 8, 10), Android or Apple.



Digital thickness gauge

Feeler Gage Smart

DIMENSIONAL DRAWING



Model 921.0100

The thickness may differ slightly for the other models according to the number of gauges.

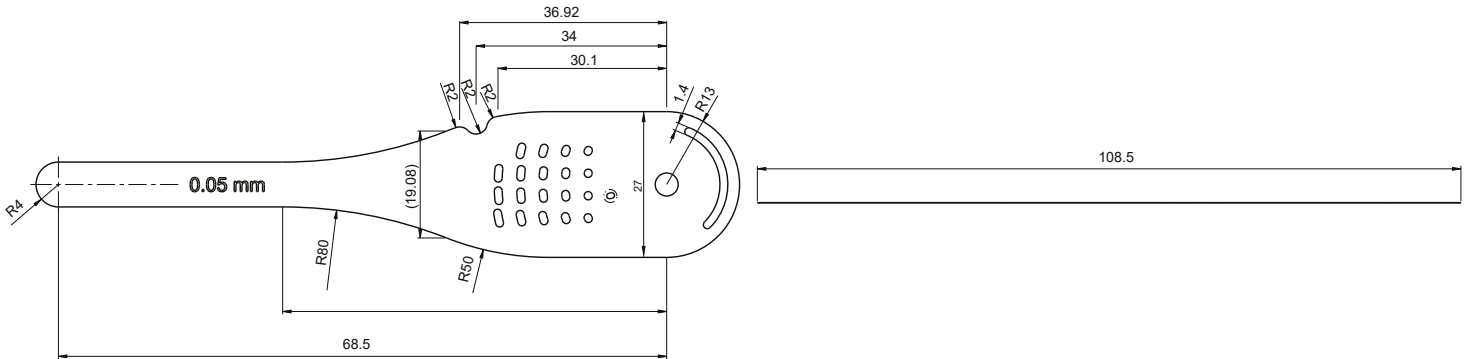
TECHNICAL SPECIFICATIONS

		921. 0100	921. 0110	921. 0114
Type of version		mm	mm	inch
Measurement capacity	mm/in	0.05...1.00 mm	0.04...1.00 mm	0.0015...0.0300 in
Feelers thickness	mm	0.05, 0.10, 0.15, 0.20, 0.25, 0.30, 0.35, 0.40, 0.45, 0.50, 0.55, 0.60, 0.65, 0.70, 0.75, 0.80, 0.85, 0.90, 0.95, 1.00	0.04, 0.05, 0.06, 0.07, 0.08, 0.09, 0.10, 0.15, 0.20, 0.25, 0.30, 0.35, 0.40, 0.50, 0.60, 0.70, 0.80, 0.90, 1.00	0.0015, 0.0020, 0.0030, 0.0040, 0.0050, 0.0060, 0.0070, 0.0080, 0.0090, 0.0100, 0.0120, 0.0140, 0.0150, 0.0160, 0.0180, 0.0200, 0.0220, 0.0250, 0.0300
Usable length	mm	99		
Thickness Tolerance Class according to DIN 2275		TC1		
Protection rating according to IEC 529		IP65		
Output data		Bluetooth® wireless technology*		
Number of feelers		20	19	19
Weight	g	280	224	212
Functions		Unit (mm/inch) & Bluetooth® HID profile		

Digital thickness gauge

Feeler Gage Smart

REPLACEMENT FEELERS



		921.1000	921.1001	921.1002	921.1003	921.1004	921.1005	921.1006	921.1007	921.1008
Thickness	mm	0.04	0.05	0.06	0.07	0.08	0.09	0.10	0.15	0.20
Tolerance	mm	±0.004	±0.004	±0.004	±0.004	±0.004	±0.004	±0.004	±0.005	±0.006

		921.1009	921.1010	921.1011	921.1012	921.1013	921.1014	921.1015	921.1016	921.1017
Thickness	mm	0.25	0.30	0.35	0.40	0.45	0.50	0.55	0.60	0.65
Tolerance	mm	±0.006	±0.007	±0.007	±0.007	±0.007	±0.007	±0.007	±0.007	±0.007

		921.1018	921.1019	921.1020	921.1021	921.1022	921.1023	921.1024
Thickness	mm	0.70	0.75	0.80	0.85	0.90	0.95	1.00
Tolerance	mm	±0.007	±0.007	±0.009	±0.009	±0.009	±0.009	±0.009

		921.1025	921.1026	921.1027	921.1028	921.1029	921.1030	921.1031
Thickness	inch	0.0015	0.0020	0.0030	0.0040	0.0050	0.0060	0.0070
Tolerance	mm	±0.004	±0.004	±0.004	±0.004	±0.004	±0.004	±0.005

		921.1032	921.1033	921.1034	921.1035	921.1036	921.1037	921.1038
Thickness	inch	0.0080	0.0090	0.0100	0.0120	0.0140	0.0150	0.0160
Tolerance	mm	±0.005	±0.006	±0.006	±0.007	±0.007	±0.007	±0.007

		921.1039	921.1040	921.1041	921.1042	921.1043
Thickness	inch	0.0180	0.0200	0.0220	0.0250	0.0300
Tolerance	mm	±0.007	±0.007	±0.007	±0.007	±0.007

Digital thickness gauge

Feeler Gage Smart

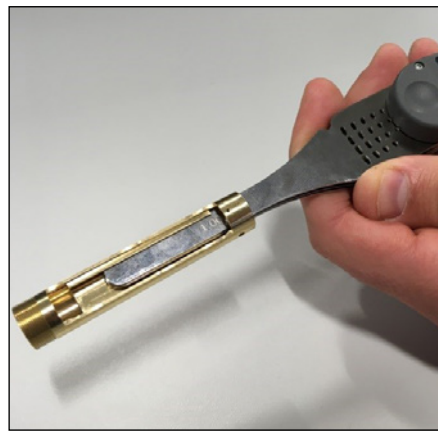
BASIC INSTRUMENT

- Instrument according to technical specifications
- Lithium battery CR2032 included
- Instruction manual
- Lanyard

APPLICATIONS



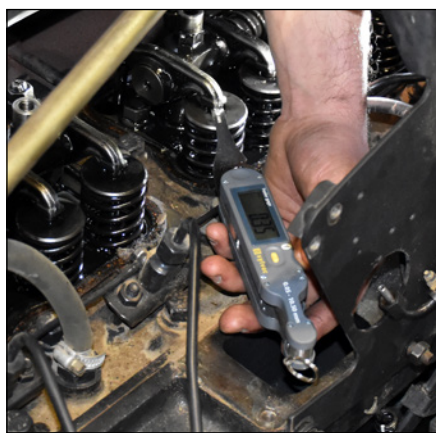
Gap measurement



Gap measurement



Gap setting



Valve adjustment



Data transmission via HID